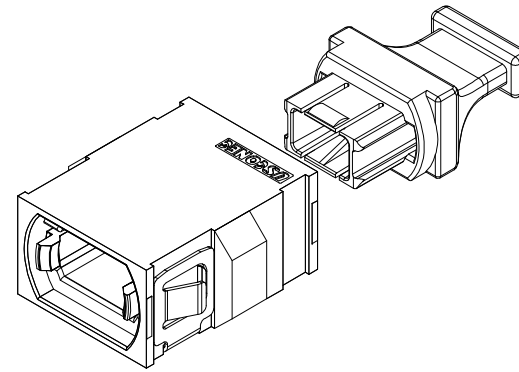
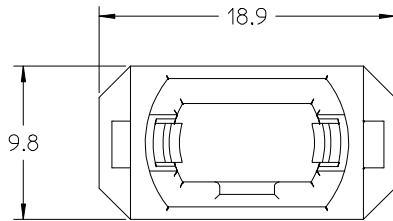
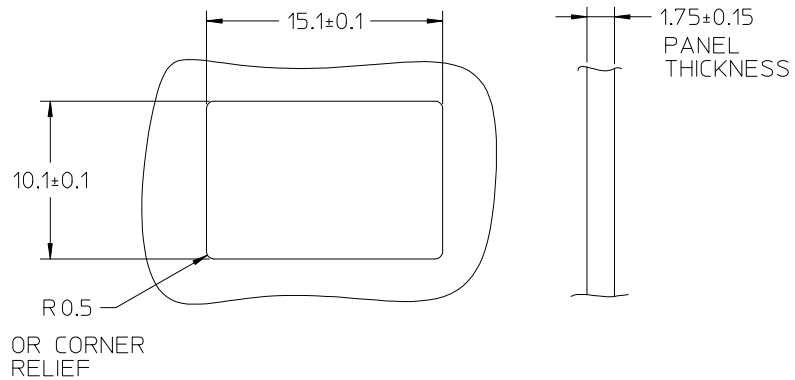
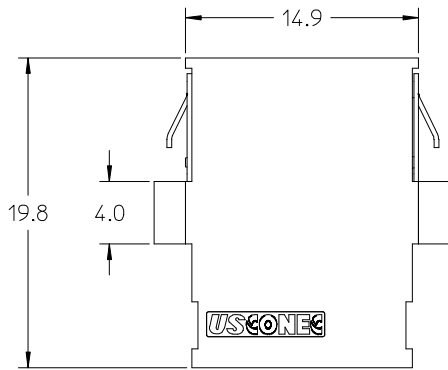


KEY ORIENTATION OPPOSED



ONE OF TWO DUST CAPS IS SHOWN



MANUFACTURER:
 US CONEC
 HICKORY, NC
 800-769--0944
 www.usconec.com
 P/N: 12075

RECOMMENDED MOUNTING CUTOUT

NOTE:

MATERIALS:
 ADAPTER BODY - POLYETHERIMIDE, BLACK
 FLAMMABILITY - UL94 V-0
 SPRING CLIP - STAINLESS STEEL
 DUST PLUG - POLYCARBONATE:
 SURFACE RESISTIVITY - <1E12 ohm/sq
 TML - <1%
 FLAMMABILITY - UL94 V-0

ENTER DESCRIPTION EC NO: MF2017-0036 2016/08/04 DRAWN: SDXIE CHKD: APPR: LGUMIN 2016/09/06	QUALITY SYMBOLS ▽=0 ▽=0	GENERAL TOLERANCES (UNLESS SPECIFIED) mm INCH 4 PLACES ±--- ±--- 3 PLACES ±--- ±--- 2 PLACES ±--- ±--- 1 PLACE ±--- ±--- ANGULAR ±1/2°	DIMENSION STYLE MM ONLY DRAWN BY KP DATE 2003/07/10 CHECKED BY DATE APPROVED BY ILG DATE 2003/07/10	SCALE --- DESIGN UNITS INCH THIRD ANGLE PROJECTION	TITLE MTP ADAPTER, REDUCED FLANGE
	DRAFT WHERE APPLICABLE MUST REMAIN WITHIN DIMENSIONS		MATERIAL NO. 1061810007 SIZE B	MOLEX INCORPORATED DOCUMENT NO. SD-106181-0007	SHEET NO. 1 OF 1
	THIS DRAWING CONTAINS INFORMATION THAT IS PROPRIETARY TO MOLEX INCORPORATED AND SHOULD NOT BE USED WITHOUT WRITTEN PERMISSION				
	MTP ADAPTER, REDUCED FLANGE				