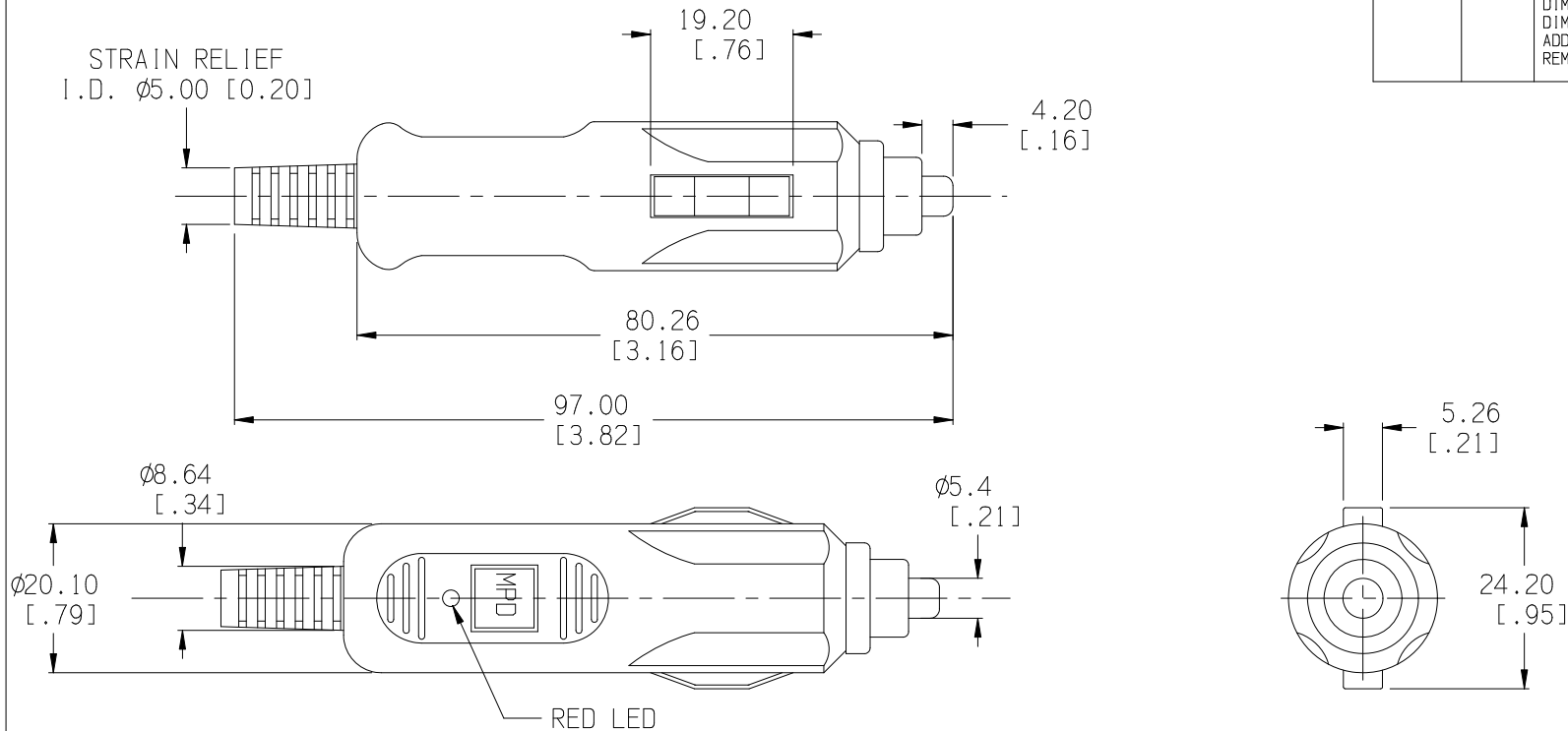



Date	SYM	REVISION RECORD	AUTH	DR.	CK.
2/27/09	E	FUSE SPEC. WAS 8AG S/O B/O TYPE	T.B.	B.S.	
08/28/14	F	UPDATED TO ROHS 2 COMPLIANT	T.B.	B.S.	
02/17/17	G	UPDATED SPECIFICATIONS DIM. 97.00 WAS 96.77 DIM. 20.10 WAS 20.07 DIM. 4.20 WAS 4.17 DIM. 24.20 WAS 24.38 ADDED STRAIN RELIEF DIM. REMOVED DIM. 3.25,5.18,10.49	T.B.	B.S.	



SPECIFICATION:

BODY: HIGH IMPACT ABS, UL94-HB, FILE NO. E56070(S)  
 COLOR: BLACK  
 CENTER CONTACT: BRASS, NICKEL PLATED  
 SLIDING CONTACTS: SK5 STEEL, NICKEL PLATED  
 SPRING: PHOS. BRONZE WIRE  
 WIRE STRAIN RELIEF: PVC  
 LED: RED, 3mm, 12V  
 FUSE: 250V, 3 AMP, GLASS 3AG SLOW BLOW TYPE  
 6.35mm x 30mm (1/4" X 1 1/4")  
 RATED AT 18 HOURS, CONTINUOUS DUTY  
 5 AMP'S MAX WITH CORRECT FUSE  
 ROHS 2 COMPLIANT

Tolerance (Inches)	 Memory Protection Devices, Inc. 200 Broad Hollow Road, Farmingdale, New York 11735		
Decimal		Scale	Drawn By B.S.
$\pm .5$ (.020)			Approved By T.B.
Fractional	Title		
$\pm .8$ (.030)	CIGARETTE PLUG FOR 21 OR 22.2mm DIA. SOCKETS		
Angular	Date	Drawing Number	
$\pm 3^\circ$	02/17/17	APP-001	