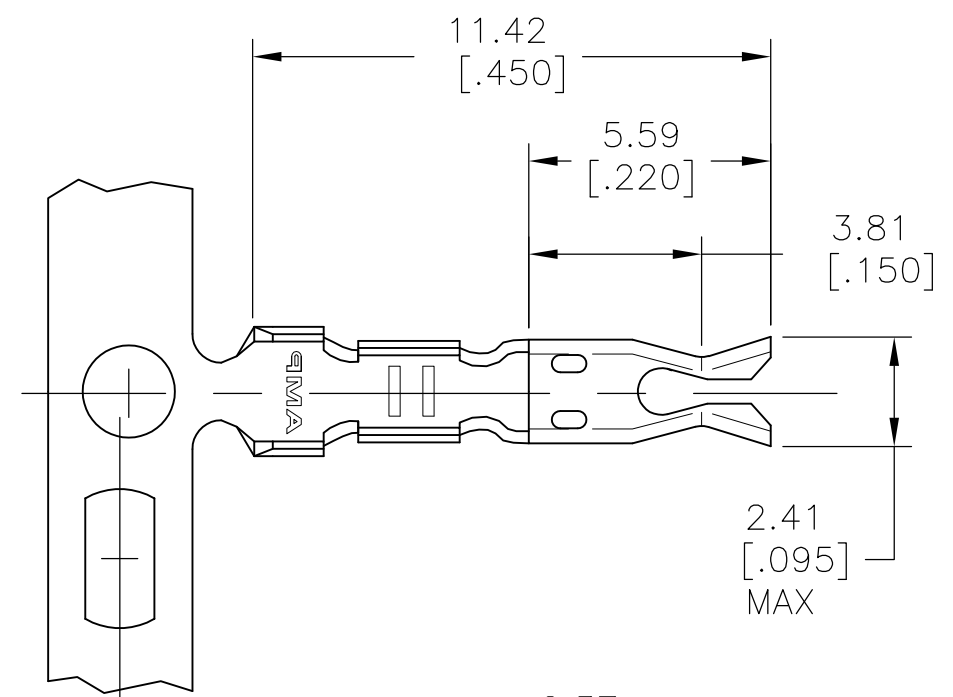
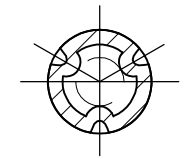


THIS DRAWING IS UNPUBLISHED. RELEASED FOR PUBLICATION
 © COPYRIGHT - By - ALL RIGHTS RESERVED.

LOC	DIST	REVISIONS			
P	LTR	DESCRIPTION	DATE	DWN	APVD
AF	50	AZ1	REVISED PER ECR-12-018652	06NOV12	KH GJ



OPTIONAL DESIGNS
TO STABILIZE PIN

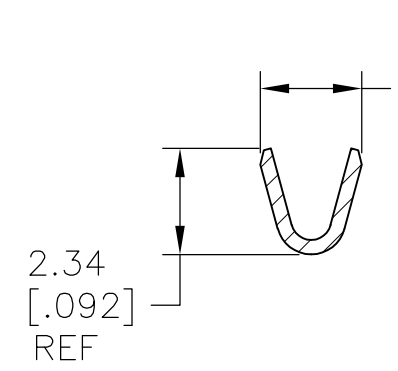
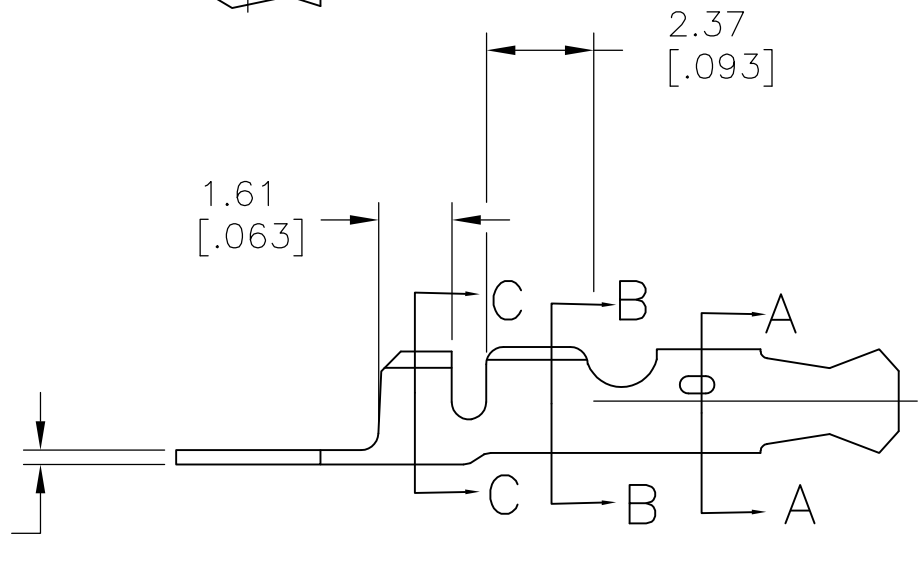


DIMPLES

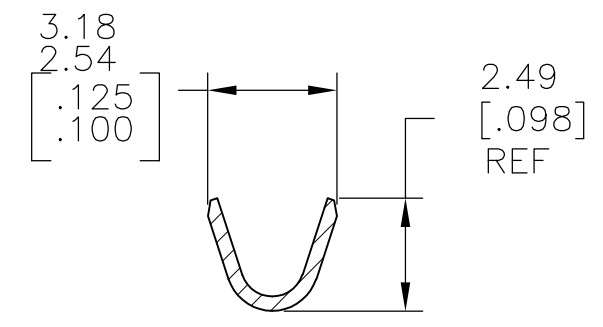


"F" CRIMP

SECTION A-A



SECTION B-B



SECTION C-C

- 1 CONTINUOUS STRIP ON REELS ON 7.37[.290] CENTERS
- 2 WIRE SIZE IS 0.2 - 0.5 mm² [#24 - #20 AWG]
- 3 INSULATION RANGE IS 1.22 - 1.80 [.048 - .071] DIA
- 4 CONTACT ACCEPTS 1.02±.03[.040±.001] DIA PIN

REVERSE REEL	H04 PHOS BRONZE - SILVER PL	42428-8
REVERSE REEL	H04 PHOS BRONZE - UNPLATED	42428-6
REVERSE REEL	H04 PHOS BRONZE - TIN PL	42428-5
--	H04 PHOS BRONZE - TIN PL	42428-2
REMARKS	MATERIAL & FINISH	PART NO

THIS DRAWING IS A CONTROLLED DOCUMENT.		DWN jr_ruth 18DEC07	STE TE Connectivity		
		CHK DON DECKER 18DEC07			
DIMENSIONS: mm [INCHES]		APVD DON DECKER 18DEC07	NAME		
TOLERANCES UNLESS OTHERWISE SPECIFIED:		PRODUCT SPEC	RECEPTACLE, PIN, 1.02[.040] DIA		
0 PLC ± -		APPLICATION SPEC	SIZE CAGE CODE DRAWING NO RESTRICTED TO		
1 PLC ± -		114-2083	A3 00779 C-42428		
2 PLC ± 0.38[.015]		WEIGHT -	SCALE 6:1 SHEET 1 OF 1 REV AZ1		
3 PLC ± -		CUSTOMER DRAWING			
4 PLC ± -					
ANGLES ± 5°					
MATERIAL SEE TABLE					
FINISH SEE TABLE					